

APPROVED by  
FIAS Executive Committee  
November 20, 2014  
APPROVED with changes by  
FIAS Executive Committee  
March 20, 2020



## FIAS SPECIFICATION SHEET FOR SAMBO UNIFORM MANUFACTURING

## TABLE OF CONTENTS

<b>I. GENERAL PROVISIONS</b>	<b>3</b>
<b>II. TECHNOLOGICAL REQUIREMENTS FOR SAMBO UNIFORM MANUFACTURING</b>	<b>4</b>
<b>2.1 Jacket</b>	<b>4</b>
2.1.1 Appearance	4
2.1.2 Fabric characteristics	4
2.1.3 Structural features	5
2.1.4 Sizes	5
<b>2.2 Belt</b>	<b>6</b>
2.2.1 Appearance	6
2.2.2 Fabric characteristics	6
2.2.3 Structural features	6
2.2.4 Sizes	6
<b>2.3 Shoes</b>	<b>7</b>
2.3.1 Appearance	7
2.3.2 Fabric characteristics	7
2.3.3 Structural features	7
2.3.4 Sizes	8
<b>2.4 Shorts</b>	<b>8</b>
2.4.1 Appearance	8
2.4.2 Fabric characteristics	8
2.4.3 Structural features	9
2.4.4 Sizes	9
<b>2.5 T-shirt (for women)</b>	<b>9</b>
2.5.1 Appearance	9
2.5.2 Fabric characteristics	9
2.5.3 Structural features	10
2.5.4 Sizes	10
<b>III. REQUIREMENTS FOR LOGOS PLACEMENT ON SAMBO UNIFORM</b>	<b>10</b>
3.1 Requirements for manufacturer's logos	10
3.2 Requirements for FIAS conformity mark	11
<b>APPENDICES</b>	<b>12</b>

Analysis of FIAS sports events shows an increase in modern SAMBO indicators (number of member countries and participants of events, level of preparation and organization of events, etc.). However, there are still many issues that remain urgent.

The most important one is about SAMBO uniform, particularly, there is a need to develop unified international standards for uniform and establish regulatory and legal framework for manufacturing, licensing and sale thereof.

The purpose of this project is to develop unified international requirements for SAMBO uniform manufacturing.

## I. GENERAL PROVISIONS

Official documents approved by FIAS Executive Committee (Regulations and SAMBO Rules) contain key terms related to SAMBO uniform.

Thus, **Uniform** means athlete's clothing and gear necessary for training and participation in contests. (Chapter 1, Clause 1 of the Regulations of FIAS on Organizing and Holding Official FIAS Competitions (Sports and Organizational Rules), hereinafter referred to as "FIAS Regulations"). SAMBO uniform is described in FIAS Regulations (Chapter 16, Clause 16.1) as well, according to which:

1. **Uniform of Sambo** competition participant includes:

- SAMBO jacket;
- SAMBO shoes;
- SAMBO shorts.

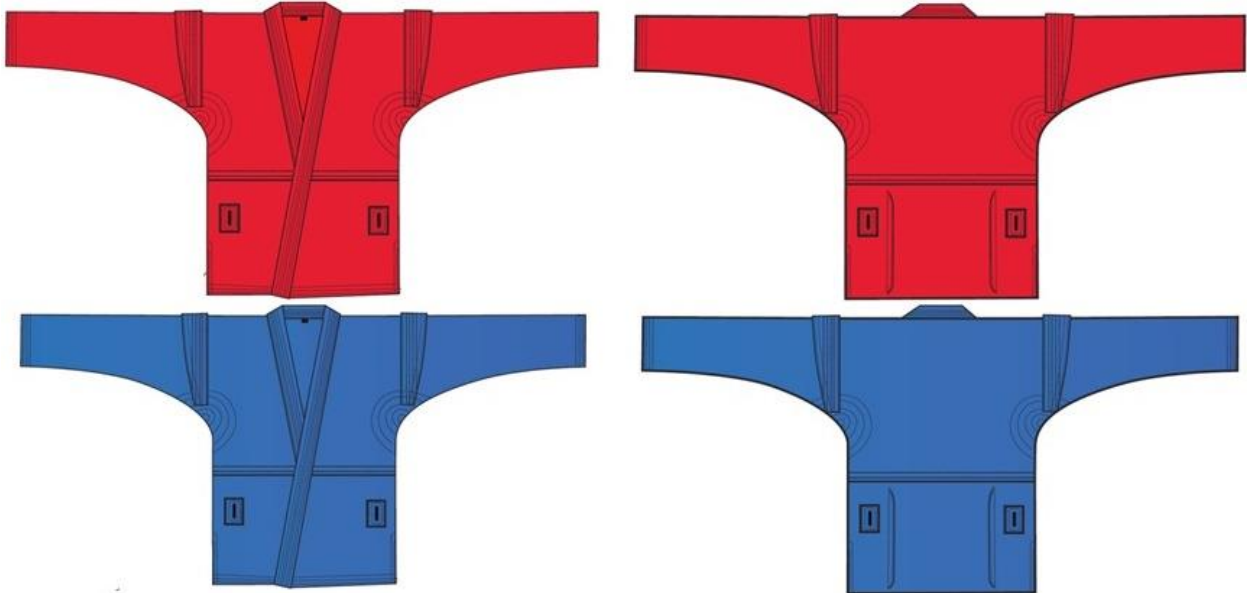
Besides, the male participants may wear a protective athletic bandage (groin-guards) and females may wear the bra and t-shirt (the t-shirt shall be single-colored white);

2. For all official FIAS SAMBO competitions, uniform of a participant and the whole gear must be of one color – either red or blue. The color of SAMBO shoes may be combined (blue and red). Uniform control referees shall ensure such compliance.
3. Uniform size compliance is verified by uniform control referees who use a special tool in accordance with FIAS competition rules.

## II. TECHNOLOGICAL REQUIREMENTS FOR SAMBO UNIFORM MANUFACTURING

### 2.1 Jacket

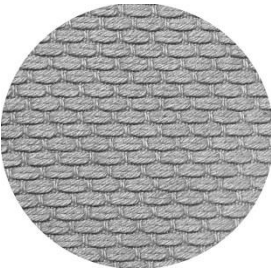
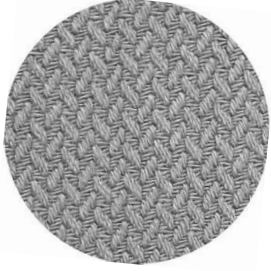
#### 2.1.1 Appearance



#### 2.1.2 Fabric characteristics

- a) material: cotton, synthetic, or combined fabric;
- b) breathable;
- c) (GSM) density: not less than 500 but not more than 700 g/m<sup>2</sup>;
- d) (Warp/Weft Density) durability: 22 +44 \* 20 pcs./inch;
- e) shrinkage <4%;
- f) color (PANTONE international standards):
  - i. red (PANTONE18 -1662TPX (Flame Scarlet));
  - ii. blue (PANTONE18 -4051TPX (Strong Blue));
- g) color permanence: high;
- h) wear resistance: high;
- i) cloth texture is homogeneous dense double twisted thread.

There can be two types of textures:

"Rice Grain"	"Herringbone"
	

### 2.1.3 Structural features

SAMBO jacket consists of two pieces of fabric with a wrap, without lining.

- a) the upper part of the jacket is made from one piece of fabric;
- b) the collar is stiff, made from one piece of fabric: width 4-5 cm, 5 rows of stitching;
- c) special shoulder “wing” panels are made of twice-folded main fabric: width is 2-3 cm on edges, and 5-6 cm in the midst, with 4-5 rows of stitching;
- d) the lower part of the jacket is made from one piece of fabric, has holes and cuts:
  - i. there are holes on the waist line for a belt (2 on front panel, 2 on back panel): hole width is 0.5-1 cm, height 5 cm;
  - ii. cuts go half way up the side lines (of the lower part of a jacket).
- e) reinforced (strengthened) jacket parts (**Appendix 1**):
  - i. there is an oval patch on the arm-holes made of main fabric, stitched from the inside;
  - ii. side slits bottom of the jacket are reinforced by the strip of the main fabric and sewn on the inside - width 1-2.5 cm, at least 3 rows of stitching;
  - iii. edge of the sleeves and bottom of jacket are reinforced by the strip or by tucking the main fabric - width 2 cm, at least 2 rows of stitching;
  - iv. the upper and lower parts of the jacket are stitched together using the “lock” seam or special banding from the inside, width: 1.5-2.5 cm, at least 3 rows of stitching;
  - v. slits for a belt are reinforced with a square patch from the outside: width 1.5-2 cm larger than each side of the slit, at least 3 rows of stitching.

The basic configuration of the SAMBO jacket seams is presented in **Appendix 2**.

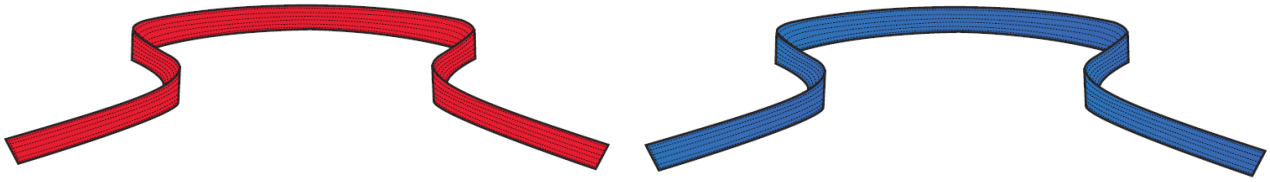
### 2.1.4 Sizes

SAMBO jacket shall correspond to international standard clothing sizes for men.

<b>US Size</b>	SS	XS	S	M	L	XL	XXL	3XL	4XL	5XL	6XL
<b>EU Size</b>	42	44	46	48	50	52	54	56	58	60	62
<b>Height (cm)</b>	150	155	160	165	170	175	180	185	190	195	200

## 2.2 Belt

### 2.2.1 Appearance



### 2.2.2 Fabric characteristics

- a) material: cotton, synthetic, or combined fabric;
- b) (GSM) density: not less than 500 but not more than 700 g/m<sup>2</sup>;
- c) (Warp/Weft Density) durability: 22 + 44 \* 20 pcs. / inch;
- d) shrinkage <4%;
- e) color (PANTONE international standards):
  - i. red (PANTONE18 –1662TPX (Flame Scarlet));
  - ii. blue (PANTONE18 – 4051TPX (Strong Blue));
- f) color permanence: high;
- g) wear resistance: high;
- h) cloth texture is homogeneous dense double twisted thread.

### 2.2.3 Structural features

SAMBO belt is made of one piece of main fabric (same as the jacket). The width of a finished belt is 4-5 cm. The band of fabric is folded 3-4 times. The belt has 6-8 rows of stitching along its length, placed 0.5 cm from each other.

The configuration of the seams on the jacket SAMBO presented in **Appendix 2**.

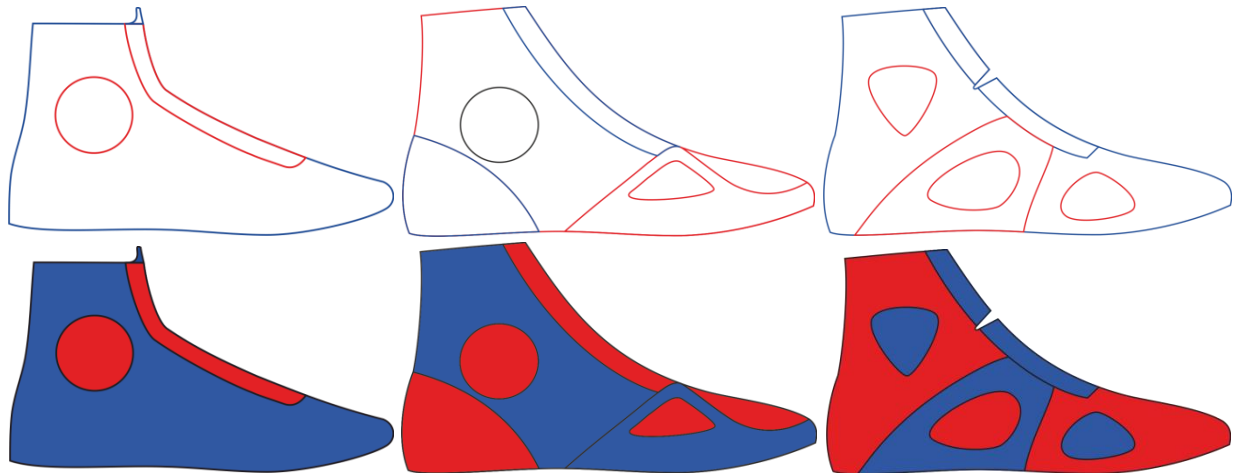
### 2.2.4 Sizes

Belts for SAMBO jackets shall correspond to SAMBO jacket sizes.

<b>US Size</b>	SS	XS	S	M	L	XL	XXL	3XL	4XL	5XL	6XL
<b>EU Size</b>	42	44	46	48	50	52	54	56	58	60	62
<b>Length (cm)</b>	250	255	260	265	270	275	280	285	290	295	300

## 2.3 Shoes

### 2.3.1 Appearance



2.3.2 The characteristic of the fabric and the choice of materials used for the production of SAMBO shoes, are determined by the manufacturer. It is necessary to consider the FIAS requirements, the main of which are:

- a) color (PANTONE international standards):
  - i. red (PANTONE18 -1662TPX (Flame Scarlet);
  - ii. blue (PANTONE18 – 4051TPX (Strong Blue);
- b) shrinkage <4%;
- c) color permanence: high;
- d) wear resistance: high;

### 2.3.3 Structural features

Design features of the SAMBO shoes are determined by the manufacturer, but it is necessary to consider the FIAS requirements, the main of which are:

- a) ready-to-wear model shall be anatomic, light, soft, without any rough, coarse or protruding elements and seams;
- b) all seams shall be closed up inside;
- c) ankles shall be protected by small felt pads;
- d) boot-top height shall be 7-10 cm from the lower part of the lateral (external) part of the ankle;
- e) boot-top form may be straight or oblique;
- f) after lacing the shoes, boot-top must be tightly fitted around the ankles;
- g) tongue height shall not exceed the height of boot-top by more than 1 cm;
- h) shoes must be made in combined color (red and blue).

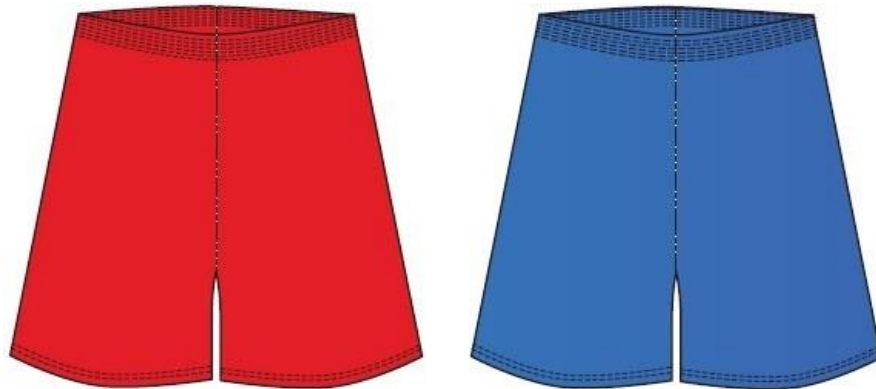
### 2.3.4 Sizes

SAMBO shoes shall correspond to international standard shoe sizes for men.

<b>US Size</b>	3	4	5	6	7	8	9	10	11	12	13
<b>EU Size</b>	35	36	37	38	40	41	42	44	45	46	47

## 2.4 Shorts

### 2.4.1 Appearance:



### 2.4.2 Fabric characteristics:

- a) material: 100% synthetic fabric;
- b) durability: high;
- c) breathability: high;
- d) shape stability: high;
- e) color (PANTONE international standards):
  - i. red (PANTONE18 -1662TPX (Flame Scarlet));
  - ii. blue (PANTONE18 – 4051TPX (Strong Blue));
- f) color permanence: high;
- g) wear resistance: high;
- h) fabric texture is homogeneous, dense, breathable, water absorbing, with great elasticity, preserves its shape, does not crease.

### 2.4.3 Structural features

Design features of the SAMBO shorts are determined by the manufacturer, but it is necessary to consider the FIAS requirements, the main of which are:

- a) shorts shall be slim-lined; they should not constrain any movement;
- b) shorts shall have an adjustable drawcord;
- c) all seams shall be closed up inside, internal finishing – overlock;
- d) cover-seaming shall be used for hems;
- e) holes are finished using buttonhole machine;



- f) length of shorts is mid-thigh;
- g) to sew additional elements (stripes, inserts, drawings, inscriptions) on shorts is prohibited.

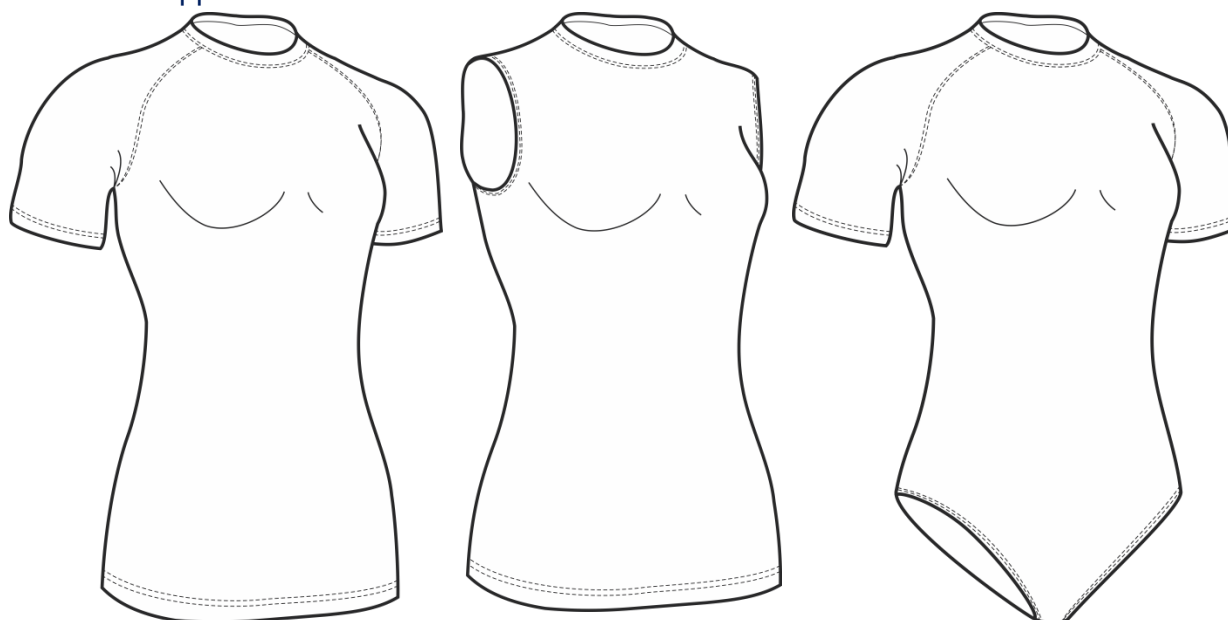
#### 2.4.4 Sizes

SAMBO shorts shall correspond to international standard clothing sizes for men.

<b>US Size</b>	SS	XS	S	M	L	XL	XXL	3XL	4XL	5XL	6XL
<b>EU Size</b>	42	44	46	48	50	52	54	56	58	60	62
<b>Height (cm.)</b>	150	155	160	165	170	175	180	185	190	195	200

### 2.5 T-shirt (for women)

#### 2.5.1 Appearance:



#### 2.5.2 Fabric characteristics:

- a) material: synthetic fabric;
- b) color (PANTONE international standards):
  - i. white (PANTONE11-0601 (White));
- c) color permanence: high;
- d) fabric texture is homogeneous, dense, air-permeable, water absorbing, with great elasticity, preserves its shape, does not crease.

#### 2.5.3 Structural features

Design features of the t-shirt are determined by the manufacturer, but it is necessary to consider the FIAS requirements, the main of which are:

- a) the fit should be tight-fitting, anatomical, without rough seams;

- b) all seams and folds on the treated interlock machine;
- c) width of t-shirt collar is 1-2 cm.;
- d) t-shirt can be made in the usual style or type of body without sleeve or short sleeve;
- e) if the t-shirt has the type of body, the buckle must be in the form of hook and loop fasteners (VELCRO).

#### 2.5.4 Sizes

T-shirt shall correspond to international standard clothing sizes for women.

<b>US Size</b>	SS	XS	S	M	L	XL	XXL
<b>EU Size</b>	42	44	46	48	50	52	54

### III. REQUIREMENTS FOR LOGOS PLACEMENT ON SAMBO UNIFORM

The manufacturer shall place its own logo and FIAS conformity mark on SAMBO jacket, shorts, shoes and t-shirt in strict compliance with the present Document.

#### 3.1 Requirements for manufacturer's logos placement

3.1.1 Main requirements for placement of manufacturer's logo on SAMBO uniform are as follows:

- a) manufacturer's logo shall be placed on the front left side of the SAMBO jacket at the bottom right of the snip;
- b) manufacturer's logo shall be placed on the SAMBO belt from one end, located in the center across the width of a lapel;
- c) manufacturer's logo shall be placed on the SAMBO shorts at the front in the lower left part, near the side seam;
- d) manufacturer's logo shall fit the circle pads in the ankle area on the inside of a shoe;
- e) manufacturer's logo shall be placed on the t-shirt, at the chest, on the left side.

3.1.2 The manufacturer's logo must be made of non-toxic materials, in the form of sublimation, transfer printing, screen printing, embroidery or other method of application, have a high wear resistance and no sharp, rough elements that may cause damage. On the t-shirt, the manufacturer logo must be made only by a sublimation method.

3.1.3 Logo shall be placed vertically or horizontally.

3.1.4 The size of the logo area must not exceed 18 cm<sup>2</sup>.

3.1.5 The principle of applying manufacturer's logo on the SAMBO uniform is shown in **Appendix 3**.

### **3.2 Requirements for FIAS conformity mark placement**

3.2.1 Main requirements for placement of FIAS conformity mark on SAMBO uniform are as follows:

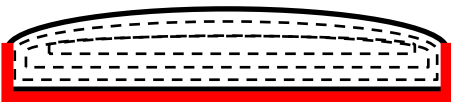
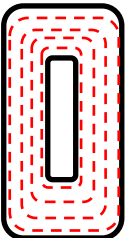
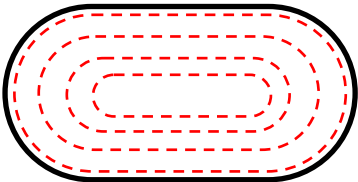
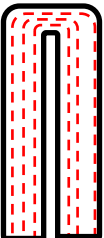
- a) on the jacket conformity mark shall be placed on the end (bottom) of the left lapel;
- b) on the belt conformity mark shall be placed at on one end and on the same side (surface) as a manufacturer logo;
- c) on the shorts conformity mark shall be placed on the top, on the right side near the side seam;
- d) on the shoes conformity mark should be placed on the "tongue" of both shoes in the upper part, centered;
- e) on the t-shirt conformity mark shall be placed on the top, on center back below the collar.

3.2.2 The FIAS conformity mark must be made of non-toxic materials, in the form of sublimation, transfer printing, screen printing, embroidery or other method of application, have a high wear resistance and no sharp, rough elements that may cause damage. On the t-shirt, the FIAS conformity mark must be made only by a sublimation method.

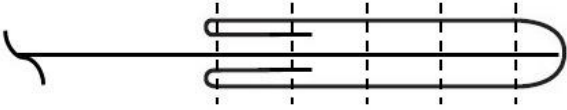
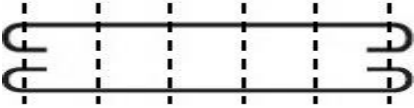
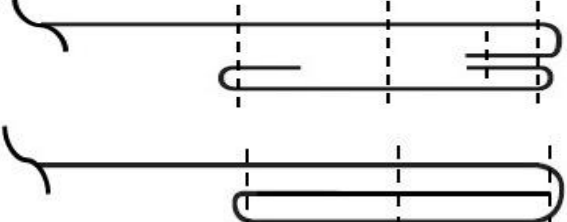
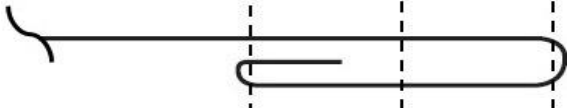
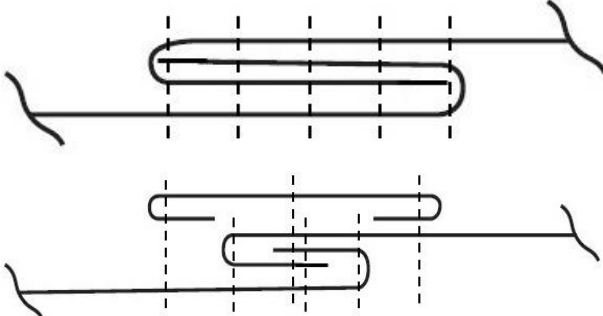
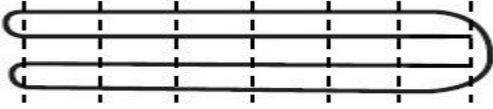
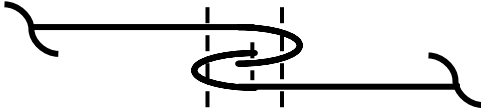
3.2.3 The principle of applying FIAS conformity mark on the SAMBO uniform is shown in **Appendix 3**.

**Strengthening (reinforcement) details of the jacket using the main fabric and reinforced stitching lines.**



I		<p>Special bar "wings" are attached to the jacket from the <b>outside</b>. "Wings" are sewn on three sides, by reinforced sewing stitch.</p>
II		<p>Slits for belt are amplified with rectangular patch and fastened to the jacket outside. They are sewn along the perimeter by reinforced sewing lines.</p>
III		<p>Oval patches are attached to the jacket from the inner side in the area of the armhole. They are sewn by perimeter by reinforced sewing lines.</p>
IV		<p>Incisions in the lateral line of jackets, amplified from the inside by the strip of the main fabric. They are sewn by perimeter by reinforced sewing lines.</p>

## Configuration of seams of SAMBO jacket and belt details

Seam Configuration	Seam Purpose
	<p>For sewing of SAMBO jacket collar. The width of the collar is 4 cm, it has 5-7 sewing lines.</p>
	<p>For sewing of "wings". They are made by two layers of the main fabric. Width is 2-3 cm from edges, and 5-6 cm in the middle, it has 4-6 sewing lines.</p>
	<p>To strengthen lateral incisions of the jacket or sleeve edges with a stripe. The edges of the sleeves can be strengthened by flexion of the main fabric with a shut cut. Width is 2 cm, at least 2 sewing lines.</p>
	<p>To handle the lower edges of the jacket and shorts. Width is up to 2 cm, at least 2 sewing lines.</p>
	<p>To connect the top and bottom of the jacket. Can be strengthened through the suture lock or strip-tape on the inside of the jacket. Width is 1.5-2.5 cm, at least 3 sewing lines.</p>
	<p>For sewing of SAMBO belt. The width of the complete belt is 4-5 cm. The fabric strip is folded in 3-4 layers. The belt is sewn along the length, the number of sewing lines is 6-8, located at a distance of 0.5 cm from each other.</p>
	<p>For sewing the sleeves along the length. The width is 1-1,5 cm, at least 2 sewing lines.</p>

### The principle of FIAS conformity mark and manufacturer logos placement on the SAMBO uniform

